



# Betta Fluid Control Co Ltd

## PRODUCT APPRAISAL REPORT PA 1128 Issue 5

BETTA® Spring Hydrant Valves

**AS 3952:2002 Water supply – Spring hydrant valve for waterworks purposes**

Issue 1 Published: 27 June 2012

Issue 2 Published: 24 March 2017

Issue 3 Published 26 March 2018

Issue 4 Published: 21 November 2019

Issue 5 Published: 24 October 2023

## Document History

The following information indicates the changes made to this document.

Date	Version
11 May 2012	Peer Review
27 June 2012	Published
24 March 2017	Issue 2 Published
23 March 2018	Issue 3 Client Review
26 March 2018	Issue 3 Published
20 November 2019	Issue 4 Client Review
21 November 2019	Issue 4 Published
23 October 2023	Issue 5 Client Review
24 October 2023	Issue 5 Published

## Peer Reviewers

Name/Title	Organisation	Date
Product Appraisal Technical Advisory Group	WSAA	26 June 2012
WSAA Expert Panel	WSAA	26 June 2012
Carl Radford, Product Appraisal Manager	WSAA	27 June 2012
Peter Pittard, WSAA Consultant	WSAA	24 March 2017
Carl Radford, Product Appraisal Manager	WSAA	24 March 2017
Peter Pittard, WSAA Consultant	WSAA	22 March 2018
Carl Radford, Product Appraisal Manager	WSAA	26 March 2018
Peter Pittard, WSAA Consultant	WSAA	12 November 2019
Carl Radford, Product Appraisal Manager	WSAA	21 November 2019
Peter Pittard, WSAA Consultant	WSAA	23 October 2023
Carl Radford, Product Appraisal Manager	WSAA	24 October 2023

## Overview of WSAA

The Water Services Association of Australia (WSAA) is the peak industry body representing the urban water industry. Our members provide water and sewerage services to over 20 million customers in Australia and New Zealand and many of Australia's largest industrial and commercial enterprises.

Based around our vision of 'customer driven, enriching life', WSAA facilitates collaboration, knowledge sharing, networking and cooperation within the urban water industry. We are proud of the collegiate attitude of our members which has led to industry-wide approaches to national water issues.

WSAA can demonstrate success in the standardisation of industry performance monitoring and benchmarking, as well as many research outcomes of national significance. The WSAA Executive retains strong links with policy makers and legislative bodies and their influencers, to monitor emerging issues of importance to the urban water industry.

WSAA was formed in 1995 as a non-profit organisation to foster the exchange of information between industry, government and the community, and to promote sustainable water resource management.

The urban water industry is committed to anchoring its services to customers' values, and to enrich communities where water services have broad economic, environmental and social values. In line with this our main activities focus on four areas:

1. influencing national and state policies on the provision of urban water services and sustainable water resource management
2. promoting debate on environmentally sustainable development and management of water resources and the community health requirements of public water supplies
3. improving industry performance and establishing benchmarks and industry leading practices for water service processes; and
4. fostering the exchange of information on education, training, research, water and wastewater management and treatment and other matters of common interest.

### Copyright

This document is copyrighted. Apart from any use as permitted under the Copyright Act 1968, no part of this document may be reproduced or transmitted in any form or by any means, electronically or mechanical, for any purpose, without the express written permission of Water Services Association of Australia Limited.

© Copyright 2023 by WATER SERVICES ASSOCIATION of Australia Limited **All rights reserved.**

**CONTENTS**

1 EXECUTIVE SUMMARY .....	5
1.1 Recommendations .....	5
2 THE APPLICANT.....	5
2.1 The Supplier.....	5
2.2 The Manufacturer.....	5
3 THE PRODUCT .....	6
4 SCOPE OF THE APPRAISAL.....	6
5 APPRAISAL CRITERIA.....	6
5.1 Quality Assurance Requirements .....	6
5.2 Performance Requirements .....	6
6 COMPLIANCE WITH APPRAISAL CRITERIA.....	7
6.1 Compliance with Quality Assurance Requirements .....	7
6.2 Compliance with Performance Requirements.....	7
6.2.1 Components material list.....	7
6.2.2 Polymeric thermal bonded coatings .....	7
6.2.3 Flanges.....	8
6.2.4 Resilient seat.....	8
6.2.5 Type Tests.....	8
6.2.6 Contact with drinking water .....	8
7 FITTING INSTRUCTIONS, TRAINING AND INSTALLATION .....	8
8 PRODUCT MARKING .....	8
9 PACKAGING AND TRANSPORTATION.....	9
10 PRODUCT WARRANTY .....	9
11 WATER AGENCY EXPERIENCE WITH THE PRODUCT OR FIELD TESTING REPORT .....	9
12 FUTURE WORKS.....	9
13 DISCLAIMER.....	9
13.1 Issue of Report.....	10
13.2 Limits on Reliance on Information and Recommendations.....	10
13.2.1 Disclaimer of liability.....	10
13.2.2 Intellectual Property and other rights.....	10
13.2.3 Need for independent assessment.....	10
13.3 No Updating .....	11
13.4 No Warranty.....	11
APPENDIX A – PRODUCT LITERATURE .....	12
APPENDIX B – QUALITY CERTIFICATIONS.....	14
APPENDIX C – SUPPLIER CONTACTS .....	18

## 1 EXECUTIVE SUMMARY

Betta Fluid Control Co Ltd is a privately-owned joint venture, originally incorporated in 2007 as Betta Fluid Machinery Manufacturing Co Ltd, with two Chinese and two Australian partners. Appointed stocking agents distribute the Betta range of products within Australia.

Betta in Wuxi, Jiangsu Province, Peoples Republic of China, manufactures the BETTA DN 80 spring hydrant valves to AS 3952:2002 *Water supply - Spring hydrant valve for waterworks purposes*.

This Issue 5 is a replacement for the previous version of the appraisal which had reached its 5-year expiry date. Betta has declared there have been no design changes to the products.

Spring hydrant valves are intended for use with drinking and non-drinking water supply and are operated by means of attachment of a standpipe.

Betta supplies standard spring hydrants and swab version spring hydrants, where the supports that house the helical compression spring and dome can be removed to allow for direct full-bore access to the pipeline for insertion/removal of swabs.

The DN 80 Betta spring hydrant valves are flanged to AS 4087 Fig B5, DN 80 or DN 100.

Betta Fluid Control Co Ltd holds an ISO 9001:2015 Quality Management System Licence.

The BETTA spring hydrant valves have ISO type 5 product certification to AS 3952:2002 *Water supply - Spring hydrant valve for waterworks purposes*.

This Appraisal has determined that BETTA spring hydrant valves, as detailed in this report, meet the requirements of WSA PS- 267 *Hydrants (Spring) for Pressure Applications – Drinking Water and Non-Drinking Water Supply* and are therefore considered as 'fit-for-purpose'.

### 1.1 Recommendations

It is recommended that WSAA members, subject to any specific requirements of the member, accept or authorise Betta DN 80 spring hydrant valves and swab hydrants, as described in Section 3, for use in water supply pressure pipelines, provided they are installed in accordance with applicable WSAA Codes and the manufacturer's requirements.

## 2 THE APPLICANT

### 2.1 The Supplier

Betta Fluid Control Co Ltd does not hold stocks of spring hydrants in Australia. Appointed stocking agents purchase the products directly from the Betta factory in Wuxi and distribute the range of products within Australia. Contact numbers for the stocking agents are listed in Appendix D.

### 2.2 The Manufacturer

Betta Fluid Control Co Ltd is located at Beigongwu Road, Yuqi Industry Park, Huishan District, Wuxi, Jiangsu Province, China.

Betta Fluid Control Co Ltd is a privately-owned joint venture, originally incorporated in 2007 as Betta Fluid Machinery Manufacturing Co Ltd with four Chinese and two Australian partners. Betta currently employs 45 people that include qualified technical engineers, design engineers and mechanical engineers. Betta occupies 3000 square metres of factory with the possibility of adding another 2000 square metres for future expansion.

Betta's current annual capacity is 150,000 units with the possibility to expand, as their product range increases. Betta currently manufactures spring hydrants, fire hydrants, swing check valves, resilient seated gate valves and air release valves.

Betta sources its supply of ductile iron castings for the spring hydrant valve body and yoke from an ISO 9001 certified ductile iron casting supplier. The supply of castings is to Betta drawings and specifications.

Castings and other components e.g., copper alloy dome, coating powder, EPDM seat, stainless steel components are inspected and tested for compliance with AS 3592:2002 and Betta's quality production procedures. The castings are subsequently finished, coated, assembled and tested at Betta's manufacturing facility.

### **3 THE PRODUCT**

Betta spring hydrant valves are manufactured in compliance with AS 3952:2002 *Water supply - Spring hydrant valve for waterworks purposes*.

Betta supplies standard spring hydrants and swab version spring hydrants, where the supports that house the helical compression spring and dome can be removed to allow for direct full-bore access to the pipeline for insertion/removal of swabs.

The DN 80 Betta spring hydrant valves are flanged to AS 4087 Fig B5, DN 80 or DN 100.

All internal and external surfaces of the Betta spring hydrant valve body and yoke are coated with thermosetting epoxy powder (FBE) applied by Betta.

Spring hydrant valves are rated as PN16 with an Allowable Operating Pressure (AOP) of 1600 kPa.

For non-drinking water applications Betta can provide spring hydrant valves with a lilac-coloured coating.

### **4 SCOPE OF THE APPRAISAL**

The scope of this appraisal covers DN 80 Betta spring hydrants and swab hydrants, as described in Section 3 and as listed in the ISO Type 5 Product Certification Product Schedule in Appendix B.

### **5 APPRAISAL CRITERIA**

#### **5.1 Quality Assurance Requirements**

The WSAA Product Appraisal Technical Advisory Group accepts spring hydrant valves manufactured in compliance with AS 3952:2002 *Water supply-spring hydrant valve for waterworks purposes* and duly certified by means of an ISO Type 5 product certification scheme undertaken by a JAS-ANZ accredited Certification Assessment Body (CAB) or by a CAB accredited by international accreditation system recognised by JAS-ANZ.

The manufacturer is generally expected to have a production management and control system that has been duly accredited in accordance with AS/NZS ISO 9001 as a prerequisite to undergoing a product certification audit.

The ISO Type 5 Product Certification Scheme shall meet the criteria described in WSA TN-08

#### **5.2 Performance Requirements**

Betta spring hydrant valves have been appraised for compliance with AS 3952:2002 *Water supply-spring hydrant valve for waterworks purposes*.

Appraisal criteria are also determined by the WSAA Product Appraisal Technical Advisory Group and regularly reviewed to ensure that the criteria reflect the requirements of WSAA members.

The following Product Specifications are also relevant to this application:

WSA PS- 267 *Hydrants (Spring) for Pressure Applications – Drinking Water and Non-Drinking Water Supply*

Copies of the Product Specifications are available at the following link:

<https://www.wsaa.asn.au/shop/product/60961>

## 6 COMPLIANCE WITH APPRAISAL CRITERIA

### 6.1 Compliance with Quality Assurance Requirements

Betta has submitted the following quality certificates:

- ISO 9001:2015 Certificate of Registration No. 12 100 38509 TMS issued to Wuxi Betta Fluid Control Co Ltd by TÜV SÜD Management Service GmbH.
- AS/NZS 3952:2002 ISO Type 5 Product Certification Licence No. 22026 issued to Betta Fluid Control Co Ltd by Australian Certification Services Pty Ltd.

Betta has also submitted copies of relevant ISO 9001 Quality Management System licenses appropriate to their component suppliers.

Copies of the Quality Assurance and Product Certification licences have been included in Appendix B and are also available from WSAA.

### 6.2 Compliance with Performance Requirements

#### 6.2.1 Components material list

AS 3592 Table 2.1 requires spring hydrant valves manufactured from ductile iron to conform to minimum Grade 400-12. Higher strength ductile irons in accordance with AS 1831 are acceptable. The spring hydrant valves are manufactured using the higher grade 500-7 material designation.

Copies of material test reports have been submitted to demonstrate compliance with the nominated specifications.

**TABLE 2**

**BETTA HYDRANT VALVE COMPONENTS MATERIAL LIST**

Component	Material	AS 3952		Betta	Comment
		Standard	Min Grade	Grade	
Body and Yoke	Ductile iron	AS 1831	400-12 or 500-7	500-7	Complies
Dome	Copper Alloy	AS 1565	C48600	C48600	Complies
Helical Compression Spring	Stainless Steel	ASTM A276	302	304	Complies
Removable Support (Swab)	Stainless Steel	-	-	304 (FBE Coated)	Complies
Resilient Seat	Synthetic Rubber	AS 1646	-	EPDM	Complies
Fasteners	Stainless Steel	ASTM A276	316	316	Complies

#### 6.2.2 Polymeric thermal bonded coatings

AS 3952 requires all internal and external surfaces of the body and yoke to be coated with a polymeric coating in accordance with AS/NZS 4158 *Thermal-bonded polymeric coatings on valves and fittings for water industry purposes*.

BETTA resilient seated valves are coated at their Wuxi factory using Qingdao Jindapeng JDP fusion bonded epoxy powder coloured blue.

JDP has AS/NZS 4158:2003 StandardsMark Product Certification. A copy of the licence is held on file by WSAA.

The FBE coating is applied in accordance with the requirements of AS/NZS 4158. ACS (now Pro-Switch) audits application procedures and testing in conjunction with regular ISO Type 5 certification audits.

### **6.2.3 Flanges**

The flange dimensions conform to AS/NZS 4087:2011 *Metallic flanges for waterworks purposes* – Figure B5 (PN16), DN 80 or DN 100.

Betta recommends the use of full-face flange gaskets made from solid 3 mm thick EPDM, complying with WSA 109 *Industry Standards for Flange Gaskets and O Rings*.

Flange gaskets are supplied by Betta resellers.

### **6.2.4 Resilient seat**

WSA PS 267 requires that the spring hydrant resilient seat has a minimum body thickness of 6mm. Betta has provided a drawing of the seal to confirm that the thickness of the seal is 6mm.

### **6.2.5 Type Tests**

Betta provided type test results for previous issues of this Appraisal. The testing was conducted at Queensland Testing Laboratory Pty Ltd to demonstrate compliance with the requirements of AS 3952. The tests are body design pressure test, flow test, resilient seat hydrostatic test and resilient seat infiltration test.

### **6.2.6 Contact with drinking water**

Betta has submitted copies of test reports for a hydrant coated with Jindapeng FBE dated July 24<sup>th</sup> 2023, undertaken by Beijing Building Materials Testing Academy Co Ltd (CNAS Accreditation No. L1449) to demonstrate compliance with AS/NZS 4020:2018.

## **7 FITTING INSTRUCTIONS, TRAINING AND INSTALLATION**

Spring hydrant valves are considered to be standard water industry products and installation instructions are not considered necessary.

## **8 PRODUCT MARKING**

The Betta spring hydrant valves have the following markings conforming to AS 3952-2002. See Figure 1.

- Manufacturer's name or mark – BETTA
- Nominal flange size – DN XX
- Year of manufacture – XXXX
- Class of spring hydrant valve – PN 16
- Australian Standard – AS 3952
- Certification Licence No – OMK22026





**FIGURE 1 BETTA SPRING HYDRANT MARKING**

## **9 PACKAGING AND TRANSPORTATION**

All products are wrapped in bubble wrap, independently packed in cardboard boxes and packed in palletised wooden ply boxes. See Figure 2.



**FIGURE 2 PACKAGING FOR TRANSPORTATION**

## **10 PRODUCT WARRANTY**

The products are covered by the normal commercial and legal requirements of the *Competition and Consumer Act 2010 (Cth)*, which covers manufacture to the relevant standard, and details of Betta's warranty are included in their terms and conditions of sale.

## **11 WATER AGENCY EXPERIENCE WITH THE PRODUCT OR FIELD TESTING REPORT**

Betta hydrants have been sold within the Australian water industry for more than 10 years and Approvals are in place for many water agencies.

## **12 FUTURE WORKS**

There are no outstanding future works items.

## **13 DISCLAIMER**

This Product Appraisal Report (Report) is issued by the Water Services Association of Australia Limited on the understanding that:

This Report applies to the product(s) as submitted. Any changes to the product(s) either minor or major shall void this Report.

To maintain the recommendations of this Report any such changes shall be detailed and notified to the Product Appraisal Manager for consideration and review of the Report and appropriate action. Appraisals and their recommendations will be the subject of continuous review dependent upon the satisfactory performance of products.

WSAA reserves the right to undertake random audits of product manufacture and installation. Where products fail to maintain appraised performance requirements the appraisal and its

recommendations may be modified and reissued. Appraisal reports will be reviewed and reissued at regular intervals not exceeding five (5) years.

The following information explains a number of very important limits on your ability to rely on the information in this Report. Please read it carefully and take it into account when considering the contents of this Report.

Any enquiries regarding this report should be directed to the Program Manager, Carl Radford, email [carl.radford@wsaa.asn.au](mailto:carl.radford@wsaa.asn.au).

### **13.1 Issue of Report**

This Report has been published and/or prepared by the Water Services Association of Australia Limited and nominated Project Manager and peer group of technical specialists (the Publishers).

The Report has been prepared for use within Australia only by technical specialists that have expertise in the function of products such as those appraised in the Report (the Recipients).

By accepting this Report, the Recipient acknowledges and represents to the Publisher(s) and each person involved in the preparation of the Report that the Recipient has understood and accepted the terms of this Disclaimer.

### **13.2 Limits on Reliance on Information and Recommendations**

#### **13.2.1 Disclaimer of liability**

Neither the Publisher(s) nor any person involved in the preparation of the Report accept(s) any liability for any loss or damage suffered by any person however caused (including negligence or the omission by any person to do anything) relating in any way to the Report or the product appraisal criteria underlying it. This includes (without limitation) any liability for any recommendation or information in the Report or any errors or omissions.

#### **13.2.2 Intellectual Property and other rights**

The Water Services Association of Australia Limited does not undertake any assessment of whether the importation, manufacture, sale or use of the Product the subject of this Report infringes the intellectual property rights or proprietary rights of any person. Recipients of the report should undertake their own assessment of whether (as relevant) the importation, manufacture, sale or use of the relevant Products infringe the intellectual property rights or other proprietary rights of any person. If the Product infringes intellectual property rights or other proprietary rights there is potential for the supply of the Products to be interrupted.

From time to time the Water Services Association of Australia Limited and the other Publishers may receive notice of allegations that the importation, manufacture, sale or use of the Product infringes intellectual property rights or other proprietary rights. The Water Services Association of Australia Limited's policy is to not refer to such allegations in its reports or take any other steps to put Recipients on notice of such allegations, unless and until it is aware that the allegations have been admitted or proved in Court. As such, Recipients acknowledge, agree and accept that the Water Services Association of Australia Limited may have information in its possession about intellectual property rights infringement allegations or other infringement allegations in relation to the Product which are not referred to or disclosed in this Report and which are not otherwise communicated to Recipient.

#### **13.2.3 Need for independent assessment**

The information and any recommendation contained (expressly or by implication) in this Report are provided in good faith (and subject to the limitations noted in this Report). However, you should treat the information as indicative only. You should not rely on that information or any such recommendation except to the extent that you reach an agreement to the contrary with the Publisher(s).

This Report does not contain all information that a person might require for the purposes of assessing any product discussed or appraised within it. The product appraisal criteria used in preparing this Report may not address all relevant aspects of the Product.

Recipients should seek independent evidence of any matter which is material to their decisions in connection with an assessment of the Product and consult their own advisers for any technical information required. Any decision to use the Product should take into account the reliability of that independent evidence obtained by the Recipient regarding the Product.

Recipients should also independently verify and assess the appropriateness of any recommendation in the Report, especially given that any recommendation will not take into account a Recipient's particular needs or circumstances.

WSAA has not evaluated the extent of the product liability and professional indemnity insurance that the provider of the product maintains. Recipients should ensure that they evaluate the allocation of liability for product defects and any professional advice obtained in relation to the product or its specification including the requirements for product liability and professional indemnity insurance.


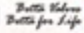
### **13.3 No Updating**

Neither the Publisher(s) nor any person involved in the preparation of this Report [has] [have] any obligation to notify you of any change in the information contained in this Report or of any new information concerning the Publisher(s) or the Product or any other matter.

### **13.4 No Warranty**


The Publisher(s) do[es] not, in any way, warrant that steps have been taken to verify or audit the accuracy or completeness of the information in this Report, or the accuracy, completeness or reasonableness of any recommendation in this Report.

APPENDIX A – PRODUCT LITERATURE

## SPRING HYDRANT

**AS 3952 - Reduced Weight PN16**  
SP42X1 Series



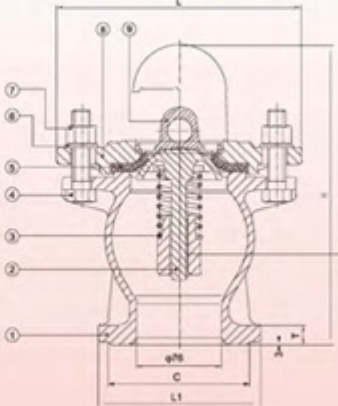
Blue Yoke For Drinking Water  
Lilac Yoke For Recycled Water Systems

Internal and External epoxy resin coating for long life corrosion protection

Ductile iron body and yoke for high strength and impact resistance

Double Flanges Drilling To AS 4087 Figure B5  
DN80 Or DN100

Lilac Yoke For Recycled Water Systems



**TECHNICAL SPECIFICATIONS**

Size Range	DN80 - DN100
Allowable Working Pressure	16Bar
Seat test to AS 3952	17.6Bar
Body test to AS 3952	24Bar
Maximum Temperature	AS4020 40°C
Operating Direction	N/A

**GENERAL APPLICATIONS**

For water and neutral liquid applications

COMPONENTS LIST				
No.	Part Description	Material	Grade Of Material	Standard Ref.
1	BODY	DUCTILE IRON	GG050	AS1831
2	DOME	ALUMINUM BRONZE	C48000	AS1565
3	HELICAL COMPRESSION SPRING	STAINLESS STEEL	00-17N12Mo2(316)	ASTM A276
4	BOLT	STAINLESS STEEL	00-17N12Mo2(316)	ASTM A276
5	RESILIENT SEAT	SYNTHETIC PLASTOMMER	EPDM 67-73 9040	AS1646
6	WASHER	STAINLESS STEEL	00-17N12Mo2(316)	ASTM A276
7	BOLT NUT	STAINLESS STEEL	00-17N12Mo2(316)	ASTM A276
8	YOKE	DUCTILE IRON	GG050	AS1831
9	DUSTPROOF COVER	PLASTIC	UPVC	---
10	SUPPORT RING	STAINLESS STEEL	00-17N12Mo2(316)	ASTM A276

DIMENSIONS TABLE (AS4087 Figure B5)					
DN	L1	C	T	H	L
80	143	122	18	264	216
100	166	156	20	264	216

**STANDARD SPECIFICATIONS**

Designed And Certified To AS 3952  
Double Flanges Drilling To AS 4087 Figure B5  
DN80 Or DN100

**APPROVALS**

AS3952 Registration No. OMK22026  
Certified To AS4020 - Suitable for Contact With Drinking Water  
AS/NZS 4158 For Drinking Water  
EPDM Rubber Certified To AS 1546

**OPTIONS**

Swab Type  
Lilac Yoke For Recycled Water Systems



WaterMark

Water supply > Hydrants

## BETTA SPRING HYDRANT SWAB TYPE, PN16

To AS 3952, Blue yoke, Swab type, DN80-DN100



BETTA spring hydrant swab type for fire protection services, water and neutral liquid applications

SP42X1-16Q-Swab

Connection	Flange
Material	Ductile Iron
DN	DN80-100
PN	PN16

**Test/Approvals:**

Hydraulic test according to AS 3952  
AS 3952 Registration No. 22026

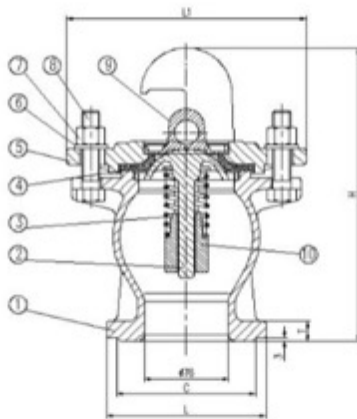
**Standards:**

Designed and certified according to AS 3952  
Comply with AS 4020  
Coating to AS 4158  
Flange and drilling to AS 4087 Fig B5 PN16

**Features:**

- Ductile iron grade of BS500-7 body and yoke for high strength and impact resistance
- Fusion bonded epoxy coating to AS4158 approved and AS 4020 compliance
- For fire protection services, water and neutral liquid applications
- All fasteners of S S 316 for corrosion resistance
- Option of yoke in Lilac color for recycled water applications
- S S 316 insert, Swab type

**Components tree:**



1	Body	Ductile Iron	BS500-7
2	Dome	Brass	C48600
3	Spring	Stainless Steel	304
4	Seal gasket	Rubber	EPDM
5	Yoke	Ductile Iron	BS500-7
6	Bolt washer	Stainless Steel	316
7	Bolt nut	Stainless Steel	316
8	Bolt	Stainless Steel	316
9	Dustproof cover	Plastic	PVC
10	Removable Support	Stainless Steel/AS4158	Coated 304

**Reference nos. and dimensions:**

BETTA ref. no.	DN mm	H mm	L mm	C mm	T mm	L1 mm	Theoretical Weight/Kg
80SP42X1-16Q-SWAB	80	264	143	122	18	216	8.5
100SP42X1-16Q-SWAB	100	264	166	156	20	216	9.5

## APPENDIX B – QUALITY CERTIFICATIONS

Copies of the following Quality Certification Certificates are also available from WSAA.

**TABLE B1  
BETTA FLUID CONTROL CO LTD – MANAGEMENT SYSTEMS**

Beigongwu Road, Yuqi Industry Park, Huishan District, Wuxi, Jiangsu Province, China	
Quality Systems Standard	ISO 9001:2015
Certification licence no.	12 100 38509 TMS
Certifying agency	TÜV SÜD Management Services GmbH
Current date of certification	18 June 2022
Expiry date of certification	17 June 2025

**TABLE B2  
BETTA FLUID CONTROL CO LTD – PRODUCT CERTIFICATION**

Beigongwu Road, Yuqi Industry Park, Huishan District, Wuxi, Jiangsu Province, China	
Product Standard/Spec.	AS/NZS 3952:2002
Certificate No.	22026
Certifying agency	Australian Certification Services Pty Ltd
First date of certification	3 July 2019
Current date of certification	3 July 2019
Expiry date of certification	18 June 2024



In

ZERTIFIKAT ◆ CERTIFICATE ◆ CERTIFICADO ◆ CERTIFIKAT ◆ 認證證書 ◆ CERTIFICATE ◆ ZERTIFIKAT



Management Service

# CERTIFICATE

The Certification Body  
of TÜV SÜD Management Service GmbH  
certifies that

**Wuxi Beta Fluid Control Co., LTD.**  
Beigong Wu Road, Yuqi Area, Economic Development Huishan District  
Wuxi City, Jiangsu Province, P.R. China  
Post Code: 214183

Unified social credit code: 91320206MA1T6YJ95K

has established and applies  
a Quality Management System for

**Design, Manufacture and Sales of Water Supply Gate Valves, Hydrant Valve,  
Check Valve, Butterfly Valve and Fittings Used for Water Pipes.**

An audit was performed, Order No. **7482219061**.

Proof has been furnished that the requirements  
according to

**ISO 9001:2015**

are fulfilled.

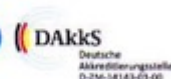
The certificate is valid from **2022-06-18** until **2025-06-17**.

The certified organization shall undergo and pass  
the regular surveillance audit to maintain the validity of this certificate.

Certificate Registration No.: **12 100 38509 TMS**.

Information about this certificate can be inquired at the official website  
of Certification and Accreditation Administration of the People's Republic of China ([www.cnca.gov.cn](http://www.cnca.gov.cn)).

Head of Certification Body  
Munich, 2022-05-24





PRODUCT CONFORMITY SCHEME – FULL CERTIFICATION

## Certification Licence

Australian Certification Services Pty Ltd grants to:

**Betta Fluid Control Co., Ltd.**

Trading as Betta Fluid Control Co., Ltd.

the right to use the Certification Mark as shown above in conjunction with the Certificate No. on product/s as identified in the Schedule and as listed on the Australian Certification Services Website [www.certificationservices.com.au](http://www.certificationservices.com.au) and have been shown to comply with the relevant Standard/s referred to below. The Licensee is granted a licence to use the Certification Mark subject to the rules governing the use.

Product Type: Spring Hydrant Valves  
 Brand: BETTA  
 Evaluated to: AS 3952:2002 Water supply—Spring hydrant valve for waterworks purposes

Issue Date: 3<sup>rd</sup> July 2019  
 Initial Issue Date: 3<sup>rd</sup> July 2019  
 Expiry Date: 18<sup>th</sup> June 2024

Paul Greig  
 General Manager

Certificate No.: 22026

This certificate remains the property of Australian Certification Services Pty Ltd

The Product Conformity Scheme (PCS) – Full Certification is a conformity assessment scheme based on ISO/IEC 17067 (Scheme Type 5) and SA HB 18.28







## Product Conformity Scheme (PCS)-FULL Certification Licence Schedule

Certificate Holder	Betta Fluid Control Co., Ltd. BeiGongWu Road YuQi Industry Park HuiShan District WuXi 214183 JiangSu Province China Website: <a href="http://www.bettaindustries.com">www.bettaindustries.com</a>
Certificate Number	22026
Certification Standard/s:	AS 3952:2002 Water supply—Spring hydrant valve for waterworks purposes

### Product Listing

Model Identification	Brand Name	Product Description
100SP42X1-16Q	BETTA	DN80 PN16 Spring Hydrant Valve Standard Type DN100 Inlet Flange (AS 4087) Coated with Blue Thermosetting Polymeric Material
100SW42X1-16Q	BETTA	DN80 PN16 Spring Hydrant Valve Swab Type DN100 Inlet Flange (AS 4087) Coated with Blue Thermosetting Polymeric Material
80SP42X1-16Q	BETTA	DN80 PN16 Spring Hydrant Valve Standard Type DN80 Inlet Flange (AS 4087) Coated with Blue Thermosetting Polymeric Material
80SW42X1-16Q	BETTA	DN80 PN16 Spring Hydrant Valve Swab Type DN80 Inlet Flange (AS 4087) Coated with Blue Thermosetting Polymeric Material



## **APPENDIX C – SUPPLIER CONTACTS**

### **Australian Office**

Betta Fluid Control Co. Ltd  
45 Cyperus Crescent Carseldine, QLD 4034  
Tony Iskra Mobile: 0417 500132  
Paul Chesterfield Mobile: 0407 736526  
Email: sales@bettavalves.com  
Website: www.bettaindustries.com

### **China Office and Factory**

Betta Fluid Control Co. Ltd  
BeiGongwu Road, YuQi Industry Park, HuiShan District, WuXi, China. P.C. 214183  
Mr Jacky Zhang  
Tel: +86-510-83881123  
Fax: +86-510-83881217

### **Stocking Agents**

#### **Clover Pipelines**

VIC: 03 8373 8000  
QLD: 07 3073 7000  
NSW: 02 8279 8000  
TAS: 03 6111 9500  
WA: 08 6166 6800  
NT: 08 7999 8400  
SA: 08 8120 4600

#### **Civil Pipe Supplies**

QLD: 07 3053 3456



**Melbourne Office**

Wurundjeri Country  
Level 8, Suite 8.02  
401 Docklands Drive  
Docklands VIC 3008

**Sydney Office**

Gadigal Country  
Level 6 75 Elizabeth Street  
Sydney NSW 2000  
GPO Box 915  
Sydney NSW 2001

P +61 (0) 3 8605 7600  
email: [info@wsaa.asn.au](mailto:info@wsaa.asn.au)

[www.wsaa.asn.au](http://www.wsaa.asn.au)